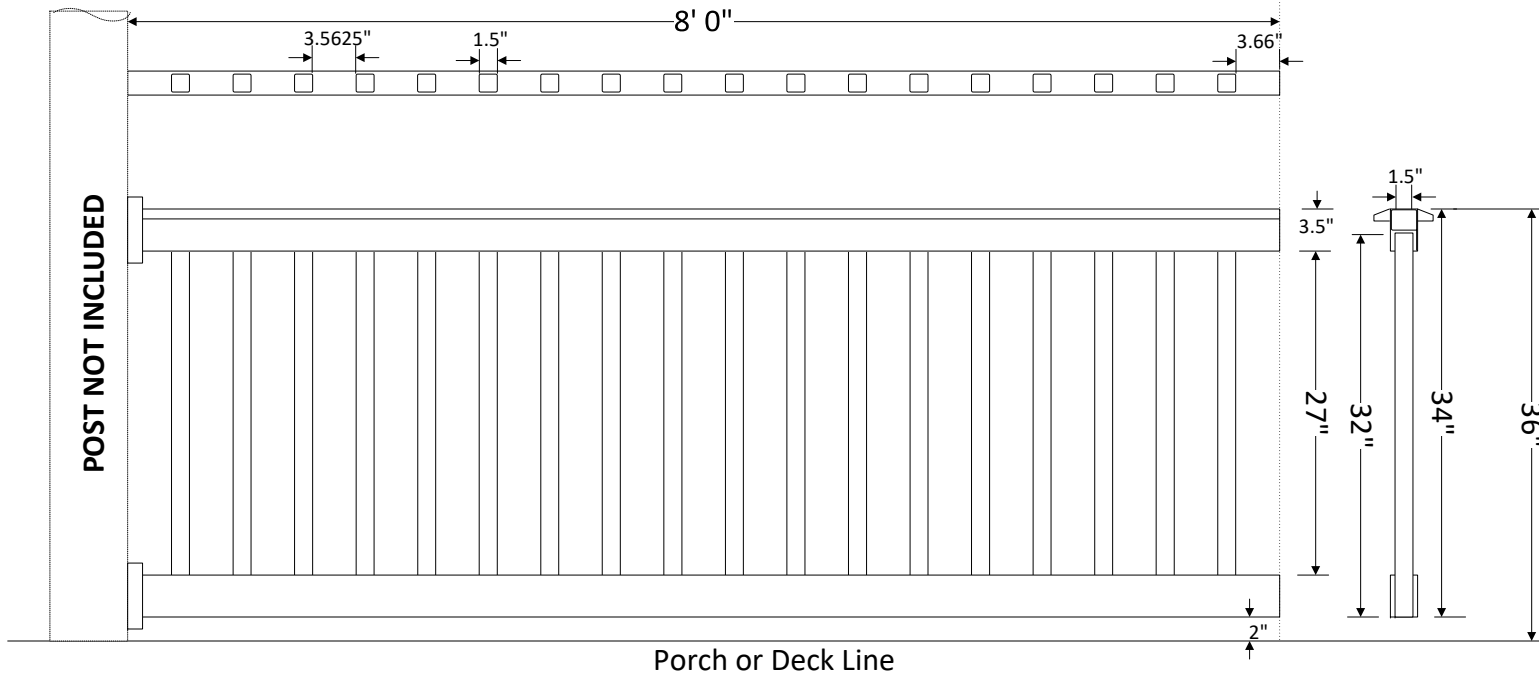


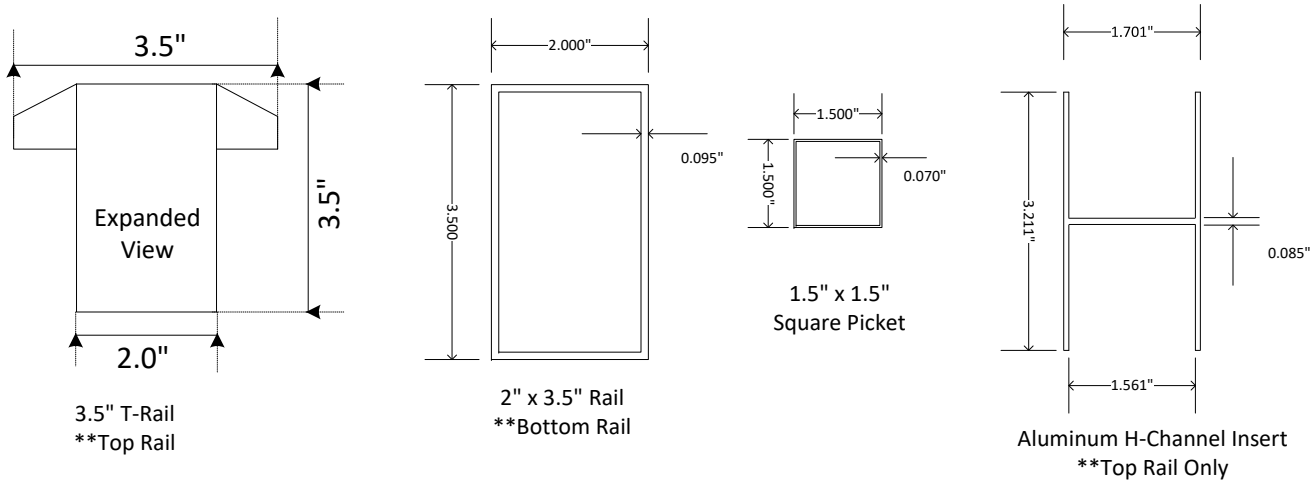
**BILL OF MATERIALS**

- 1 - T-RAIL 96"
- 1 - 2.0" x 3.5" x 96.0" Rails
- 1 - H-channel 96"
- 18 - 1.5" x 1.5" x 32" Pickets
- 1 - Rail Support
- 1 - Kodiak Porch Rail Mounting Kit



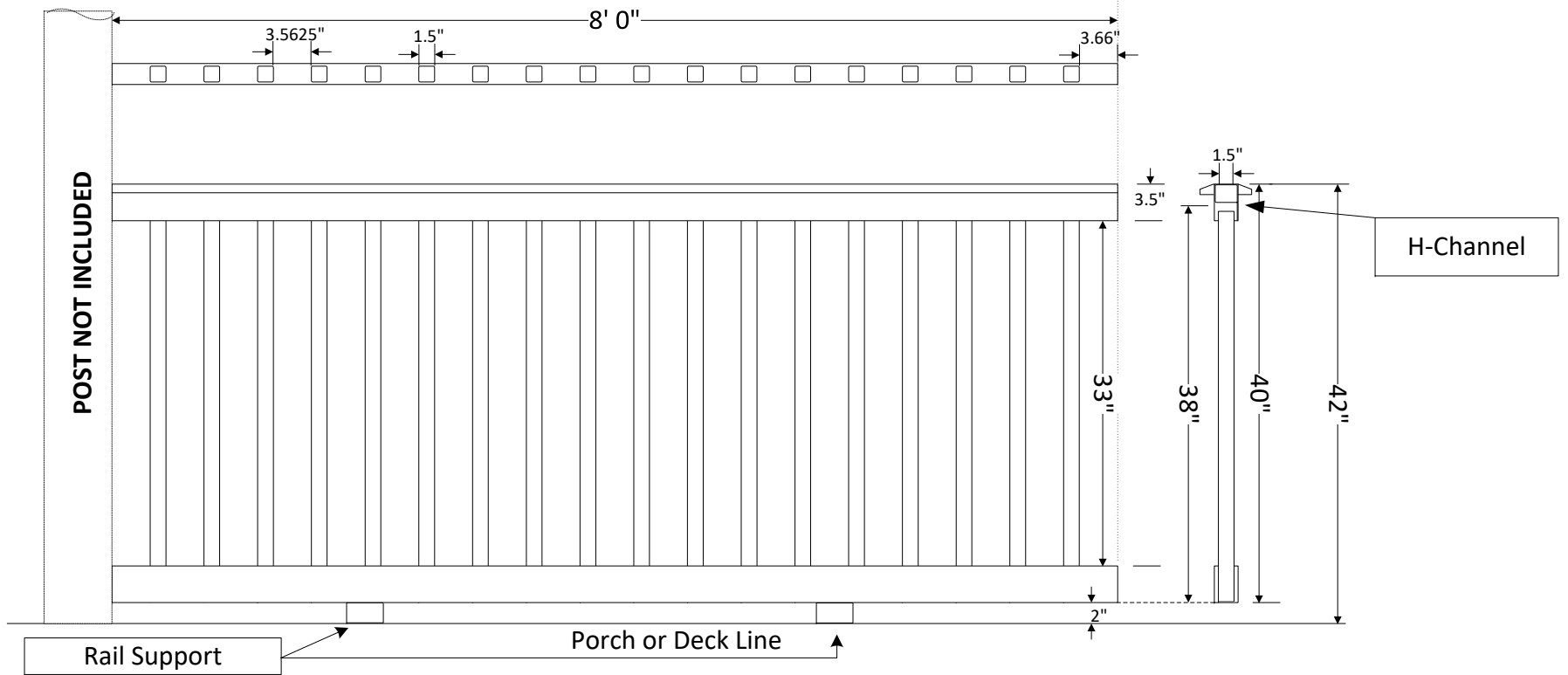
**KODIAK I Porch Rail**  
**3'H x 8'W**

**Part # KOD1WPRP63696**



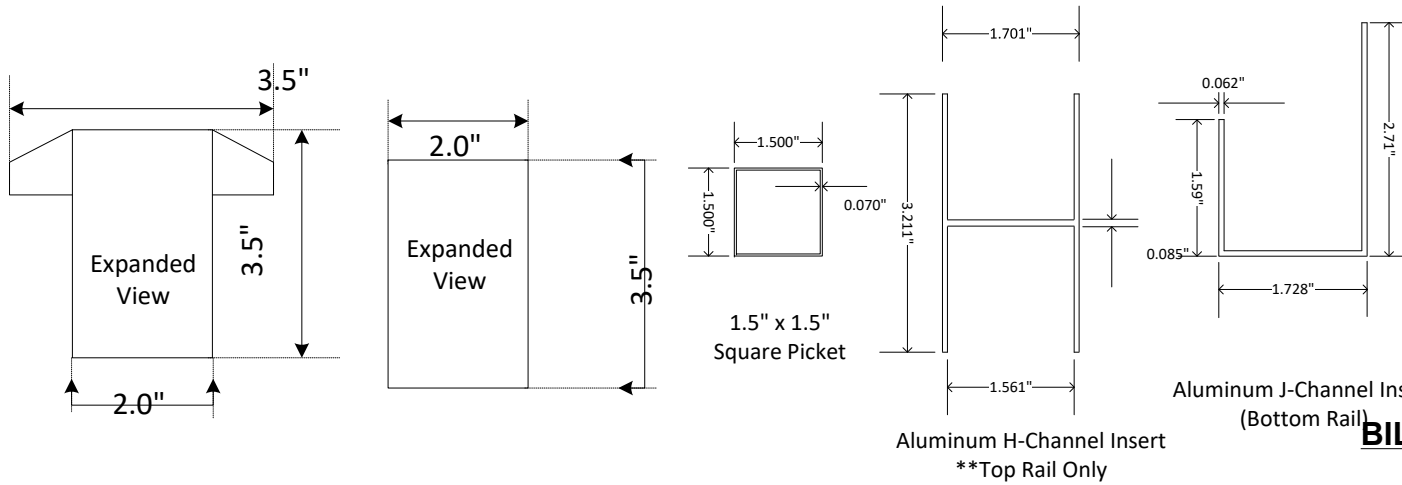
**BILL OF MATERIALS**

- 1 - T-RAIL 96"
- 1 - 2.0" x 3.5" x 96.0" Rail
- 1 - 96" H-Channel
- 18 - 1.5" x 1.5" x 38" Pickets
- 2 - Rail Supports



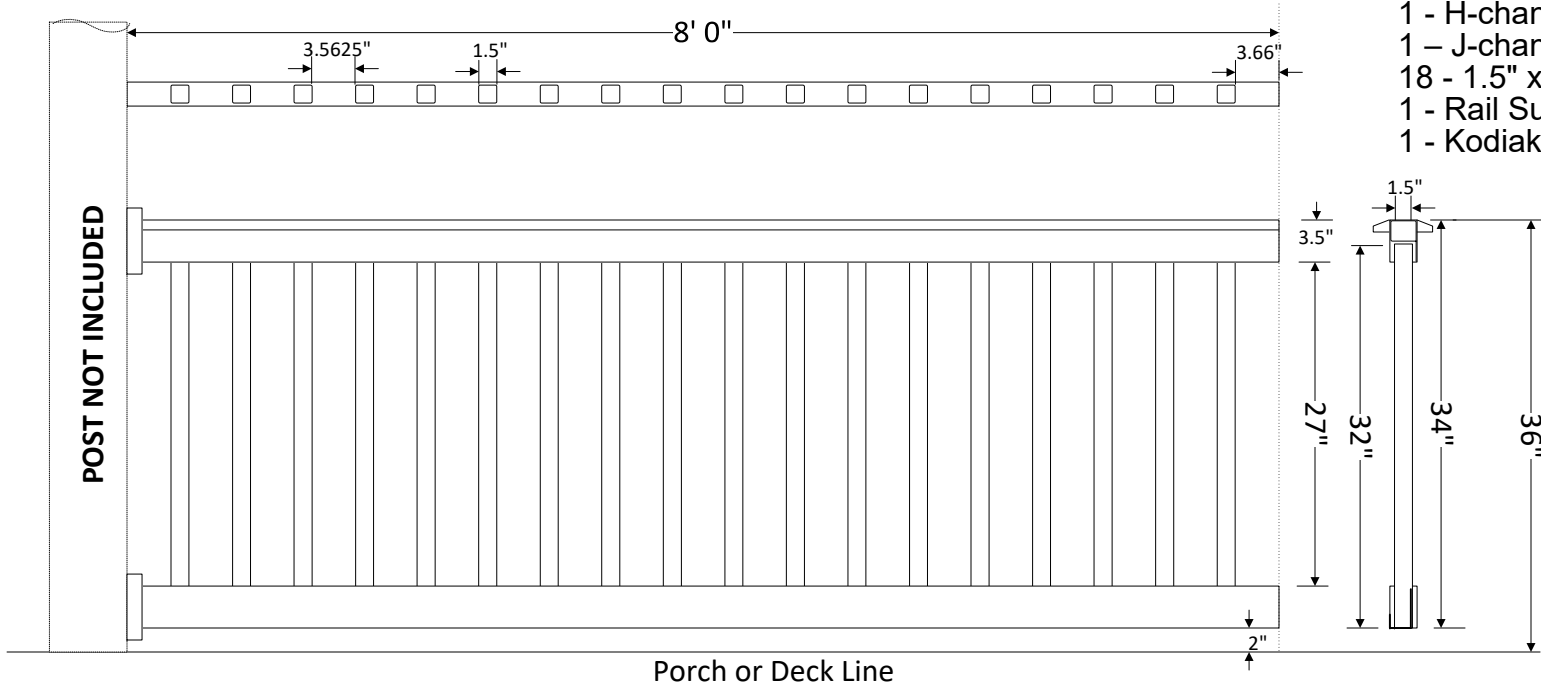
**KODIAK I Porch Rail**  
**42"H x 8'W**

**Part # KOD1WPRP64296**



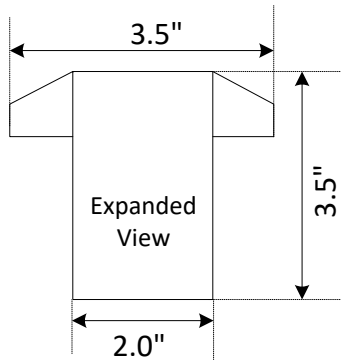
**BILL OF MATERIALS**

- 1 - T-RAIL 96"
- 1 - 2.0" x 3.5" x 96.0" Rails
- 1 - H-channel 96"
- 1 - J-channel 96"
- 18 - 1.5" x 1.5" x 32" Pickets
- 1 - Rail Support
- 1 - Kodiak Porch Rail Mounting Kit

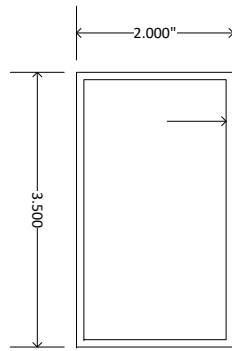


**KODIAK II Porch Rail**  
**3'H x 8'W**

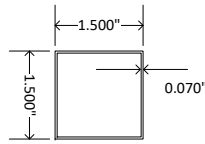
**Part # KOD2WPRP63696**



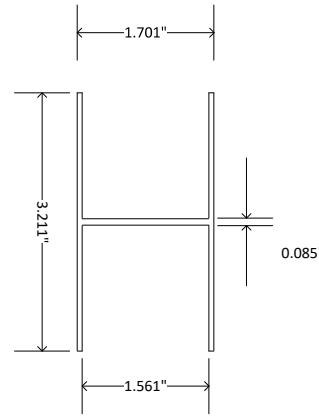
3.5" T-Rail  
 \*\*Top Rail



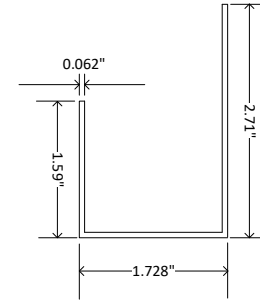
2" x 3.5" Rail  
 \*\*Bottom Rail



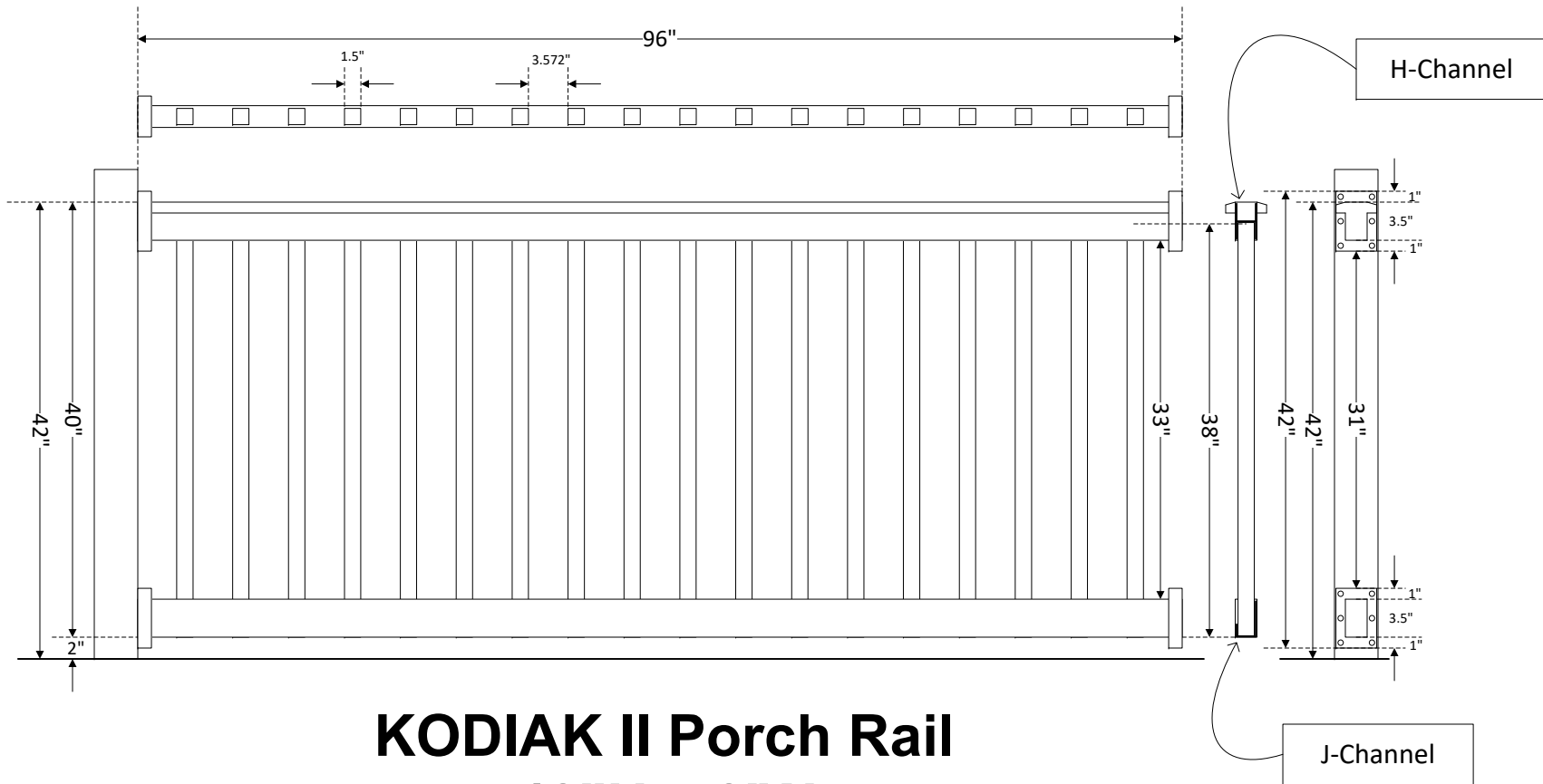
1.5" x 1.5"  
 Square Picket



Aluminum H-Channel Insert  
 (Top Rail)



Aluminum J-Channel Insert  
 (Bottom Rail)



**KODIAK II Porch Rail**  
**42"H x 8'W**