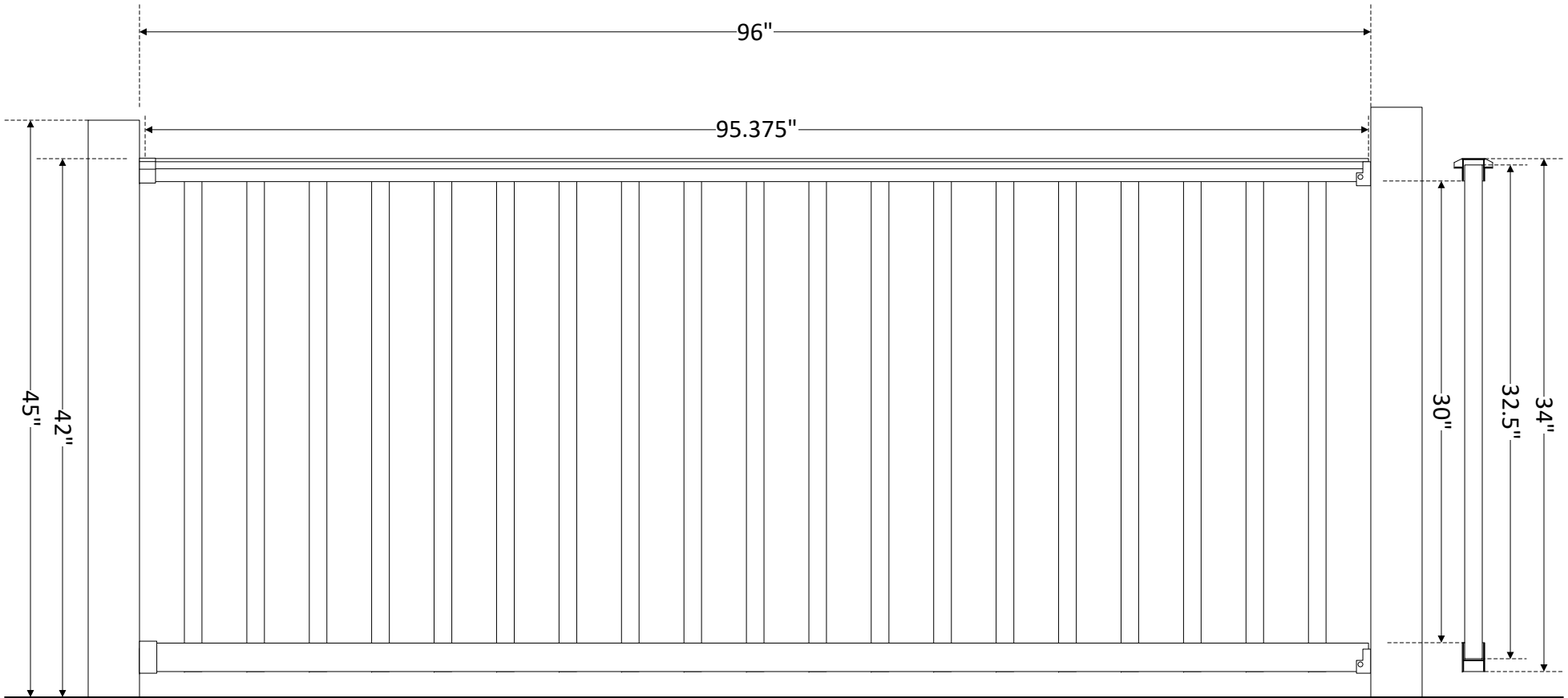


**MATERIAL LIST FOR BOXED SECTION:**

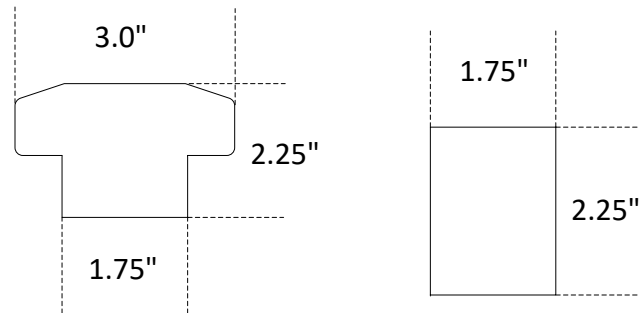
- 1 - 1-<sup>3</sup>/<sub>4</sub>" X 95-<sup>3</sup>/<sub>8</sub>" Top T-Rail
- 1 - 1-<sup>3</sup>/<sub>4</sub>" X 2-<sup>1</sup>/<sub>4</sub>" X 95-<sup>3</sup>/<sub>8</sub>" Bottom Rail
- 1 - 95-<sup>3</sup>/<sub>8</sub>" T-Rail Aluminum Insert
- 1 - 1-<sup>3</sup>/<sub>4</sub>" X 2-<sup>1</sup>/<sub>4</sub>" X 95-<sup>3</sup>/<sub>8</sub>" Aluminum Insert
- 18 - 1-<sup>3</sup>/<sub>8</sub>" X 1-<sup>3</sup>/<sub>8</sub>" X 32-<sup>1</sup>/<sub>2</sub>" Pickets
- 1 - Polar Porch Rail Mounting Kit

**36"H X 8' POLAR PORCH  
 RAIL**



**MATERIAL LIST FOR BOXED SECTION:**

- 1 - 1-3/4" X 95-3/8" Top T-Rail
- 1 - 1-3/4" X 2-1/4" X 95-3/8" Bottom Rail
- 1 - 95-3/8" T-Rail Aluminum Insert
- 1 - 1-3/4" X 2-1/4" X 95-3/8" Aluminum Insert
- 19 - 1-3/8" X 1-3/8" X 38-1/2" Pickets
- 1 - Polar Porch Rail Mounting Kit



**42" H X 8' POLAR PORCH RAIL**