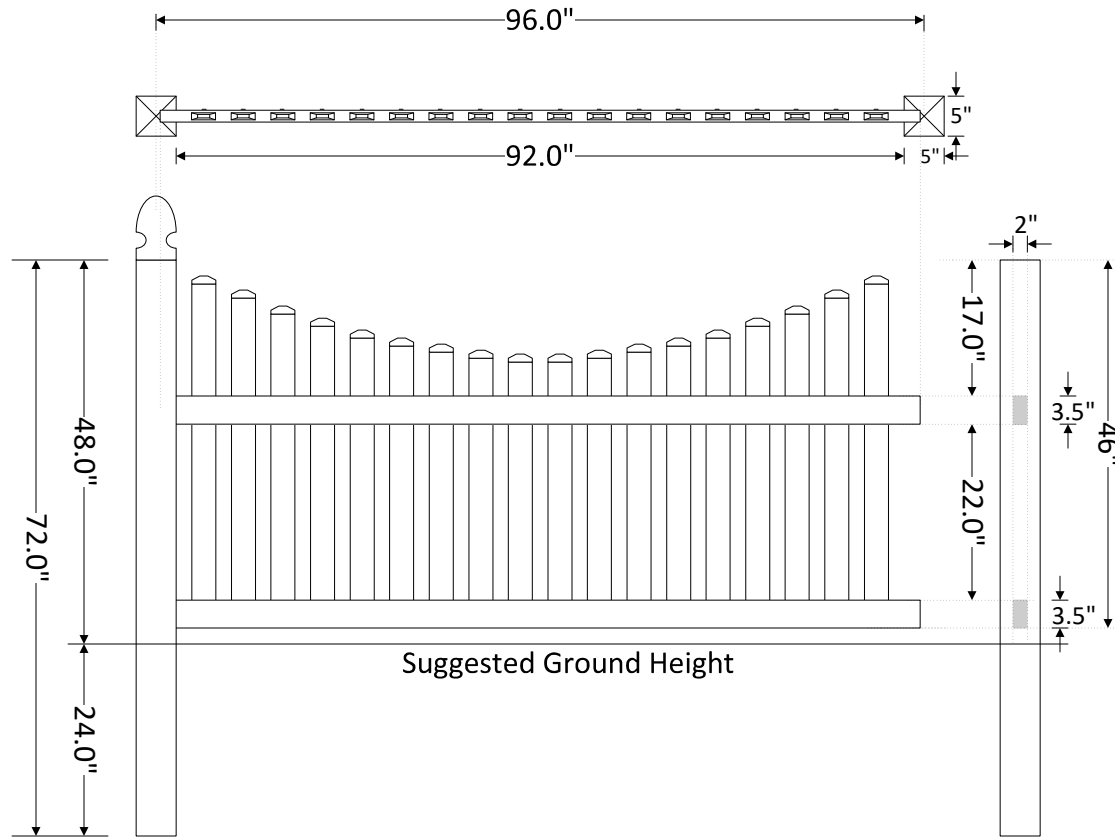




608 Queen Street
 P.O. Box 1137
 Grifton, NC 28530



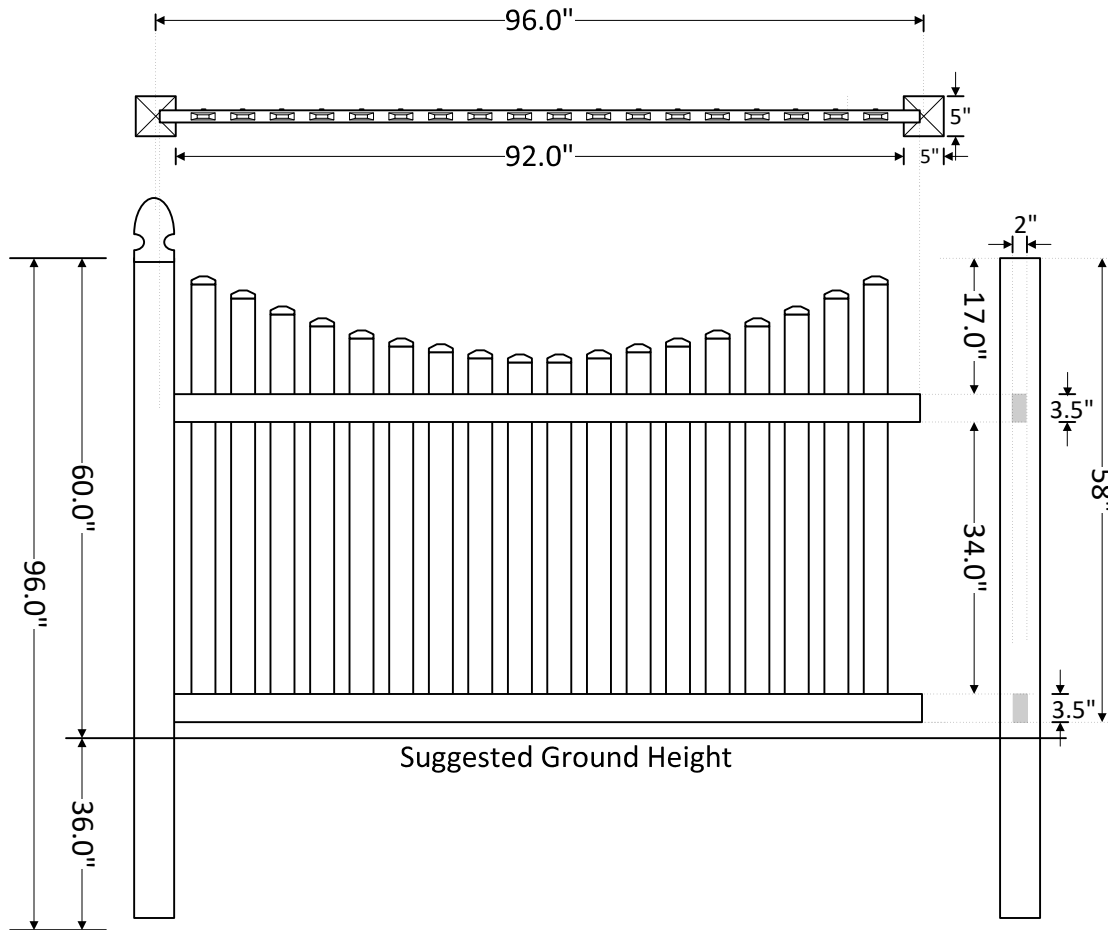
BILL OF MATERIALS

- 2 - 2" x 3.5" x 96" Rails
- 1 - 96" H-channel
- 18 - 7/8" x 3" Dog Ear Picket Caps
- 18 - 7/8" x 3" x (See Below) Pickets
- (2) - 41.5"
- (2) - 39.75"
- (2) - 37.875"
- (2) - 36.25"
- (2) - 34.75"
- (2) - 33.625"
- (2) - 33.125"
- (2) - 32.3125"
- (2) - 31.75"

**Routed Tyler Fence
 4' H x 8' on Center**



608 Queen Street
P.O. Box 1137
Grifton, NC 28530



BILL OF MATERIALS

2 - 2" x 3.5" x 96" Rails

1 - 96" H-channel

18 - 7/8" x 3" Dog Ear Picket Caps

18 - 7/8" x 3" x (See Below) Pickets

(2) - 53.5"

(2) - 51.75"

(2) - 49.875"

(2) - 48.25"

(2) - 46.75"

(2) - 45.625"

(2) - 45.125"

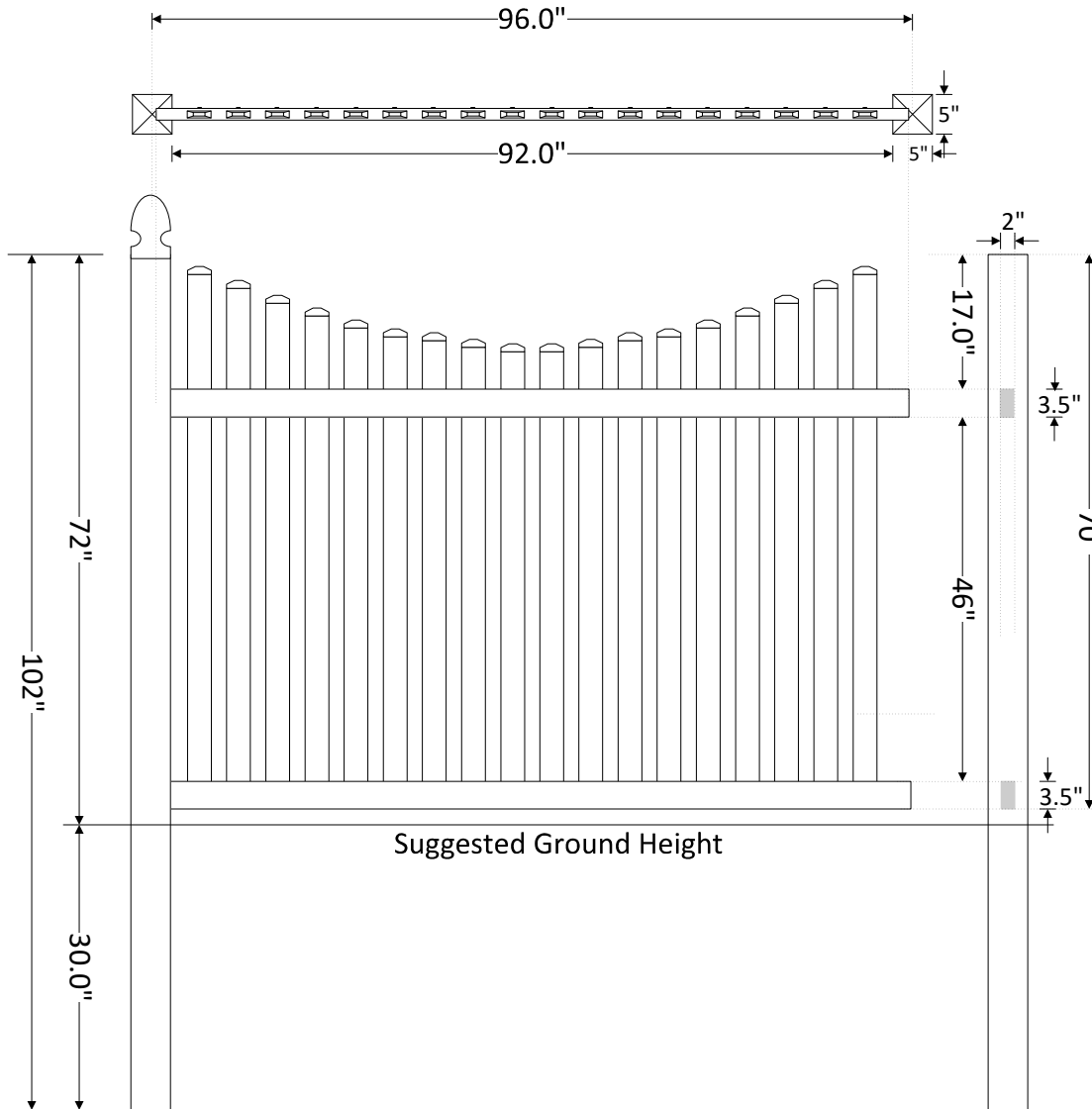
(2) - 44.3125"

(2) - 43.75"

Routed Tyler Fence
5' H x 8' on Center



608 Queen Street
P.O. Box 1137
Grifton, NC 28530



BILL OF MATERIALS

2 - 2" x 3.5" x 96" Rails

1 - 96" H-channel

18 - 7/8" x 3" Dog Ear Picket Caps

18 - 7/8" x 3" x (See Below) Pickets

(2) - 65.5"

(2) - 63.75"

(2) - 61.875"

(2) - 60.25"

(2) - 58.75"

(2) - 57.625"

(2) - 57.125"

(2) - 56.3125"

(2) - 55.75"

Routed Tyler Fence
6' H x 8' on Center